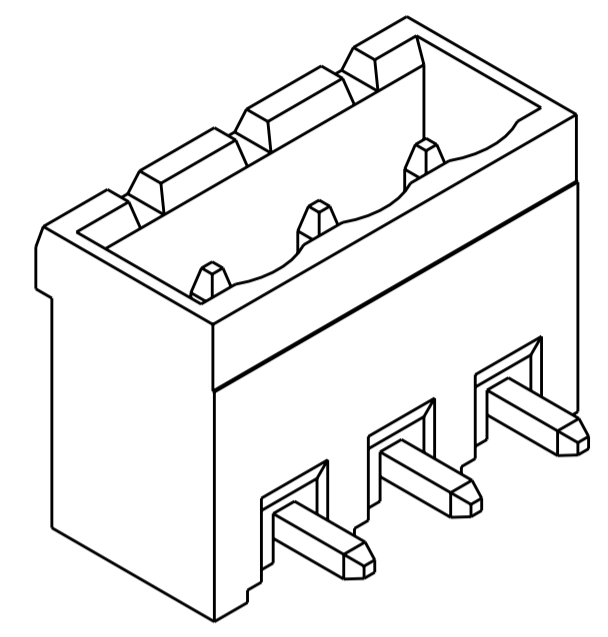
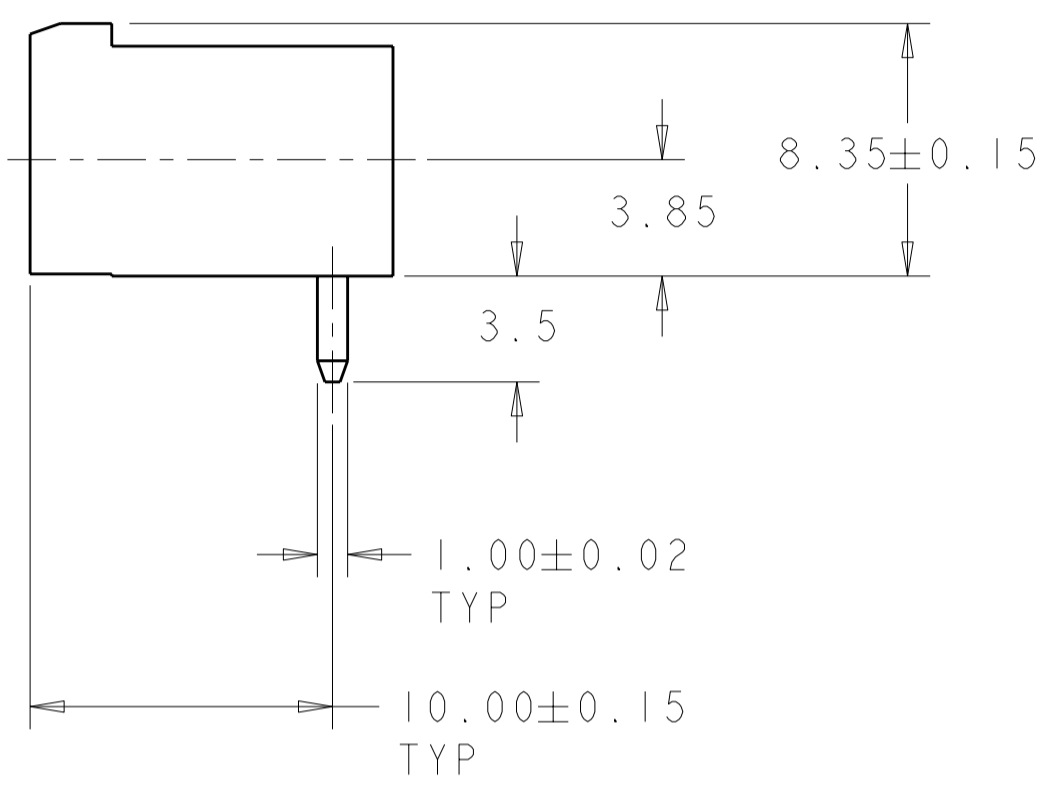
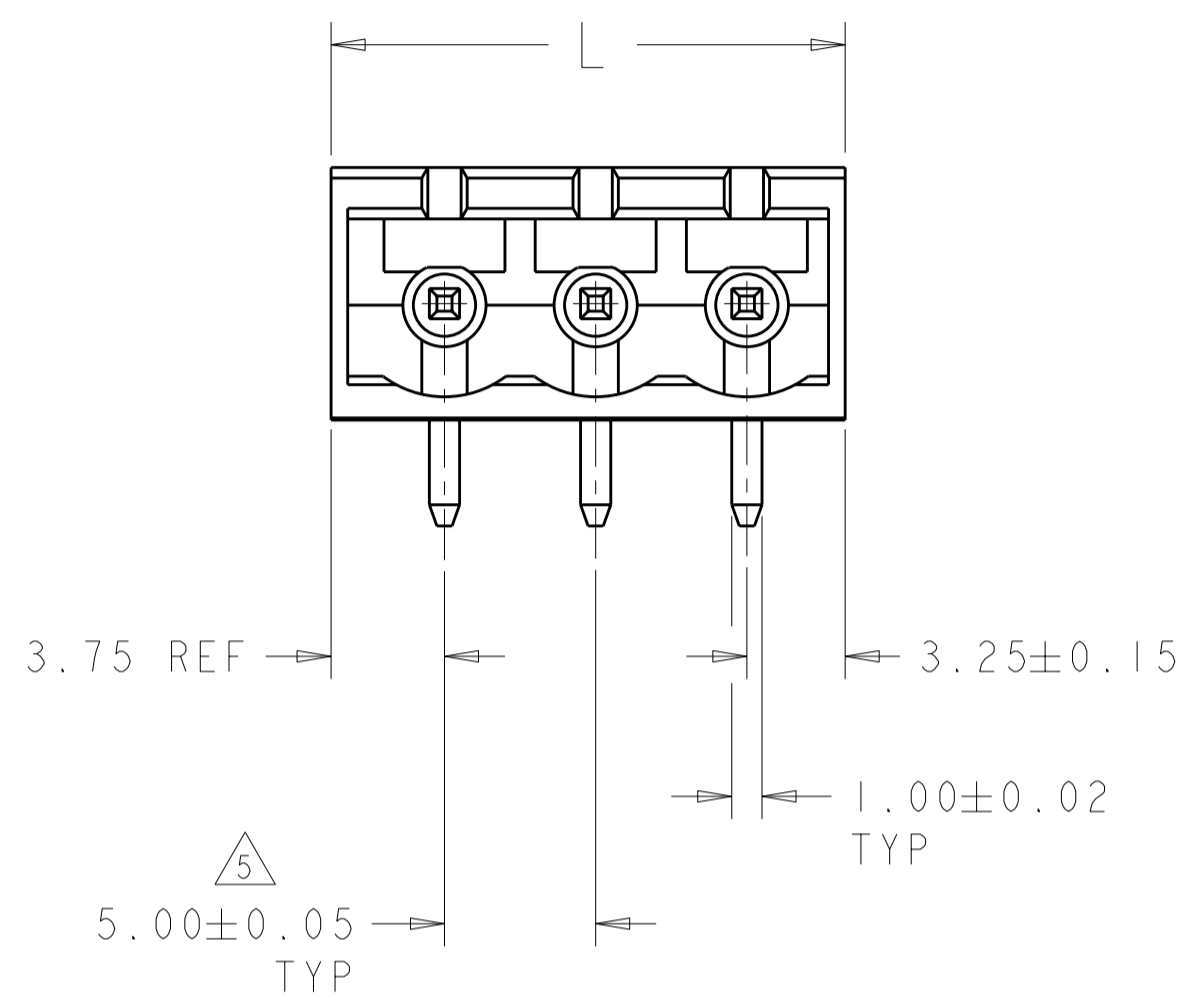
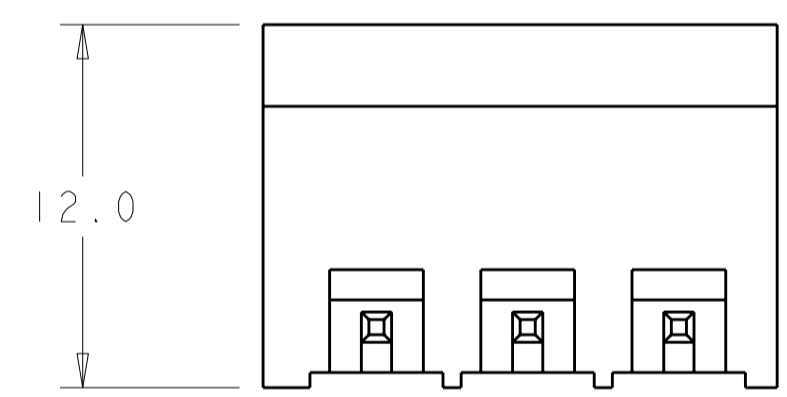


THIS DRAWING IS UNPUBLISHED. RELEASED FOR PUBLICATION 20  
 © COPYRIGHT 20 BY TYCO ELECTRONICS CORPORATION. ALL RIGHTS RESERVED.

LOC		DIST		REVISIONS			
P	LTR	DESCRIPTION	DATE	DWN	APVD		
FT	0	A	RELEASED	19OCT2000	SW	DB	
		AI	REVISED PER ECO-07-007106	03APR2007	SS	CR	

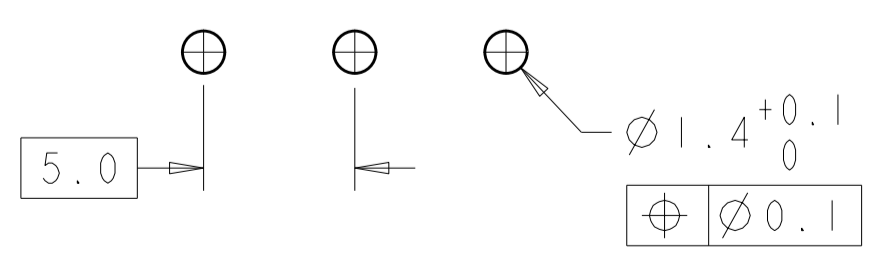


796645-3 AS SHOWN



- 1. MATERIALS AND FINISH:  
 HOUSING: PA 6-6, UL 94-V0, COLOR: BLACK.  
 TERMINAL: PHOSPHOR BRONZE, FINISH: SEE TABLE.
  - 2. SUITABLE FOR 1,6-2, 4mm PC BOARD THICKNESS.
  - 3. RECOGNIZED UNDER THE COMPONENT PROGRAM OF UNDERWRITERS LABORATORIES INC. FILE N° E60677.
  - 4. IMQ CERTIFICATE WITH SURVEILLANCE IN CONFORMITY WITH IEC 998-1/998-2-1.)
5. NOT CUMULATIVE TOLERANCE

PRELIMINARY	.762µm GOLD	42.0	8	2-796645-6
TIN	127.0	25	2-796645-5	
TIN	122.0	24	2-796645-4	
TIN	117.0	23	2-796645-3	
TIN	112.0	22	2-796645-2	
TIN	107.0	21	2-796645-1	
TIN	102.0	20	2-796645-0	
TIN	97.5	19	1-796645-9	
TIN	92.0	18	1-796645-8	
TIN	87.0	17	1-796645-7	
TIN	82.0	16	1-796645-6	
TIN	77.0	15	1-796645-5	
TIN	72.0	14	1-796645-4	
TIN	67.0	13	1-796645-3	
TIN	62.0	12	1-796645-2	
TIN	57.0	11	1-796645-1	
TIN	52.0	10	1-796645-0	
TIN	47.0	9	796645-9	
TIN	42.0	8	796645-8	
TIN	37.0	7	796645-7	
TIN	32.0	6	796645-6	
TIN	27.0	5	796645-5	
TIN	22.0	4	796645-4	
TIN	17.0	3	796645-3	
TIN	12.0	2	796645-2	
CONTACT PLATING	DIM L	NO OF POSN	PART NUMBER	



RECOMMENDED PC BOARD LAYOUT

THIS DRAWING IS A CONTROLLED DOCUMENT FOR TYCO ELECTRONICS CORPORATION. IT IS SUBJECT TO CHANGE AND THE CONTROLLING ENGINEERING ORGANIZATION SHOULD BE CONTACTED FOR THE LATEST REVISION.		DWN S. WELDON 19OCT2000	Tyco Electronics Harrisburg, PA 17105-3608	
DIMENSIONS: mm		CHK D. BIEVENOUR 19OCT2000	NAME TERMI-BLOK HEADER ASSEMBLY, 90 DEGREE, CLOSED ENDS, 5.00mm PITCH	
TOLERANCES UNLESS OTHERWISE SPECIFIED: 0 PLC ±- 1 PLC ±0.2 2 PLC ±- 3 PLC ±- 4 PLC ±- ANGLES ±- FINISH ±-		APVD D. BIEVENOUR 19OCT2000	SIZE A2 CAGE CODE 00779 DRAWING NO 796645 RESTRICTED TO -	
MATERIAL		PRODUCT SPEC -	SCALE 4:1 SHEET 1 OF 1 REV AI	
		APPLICATION SPEC -		
		WEIGHT -		
		CUSTOMER DRAWING		